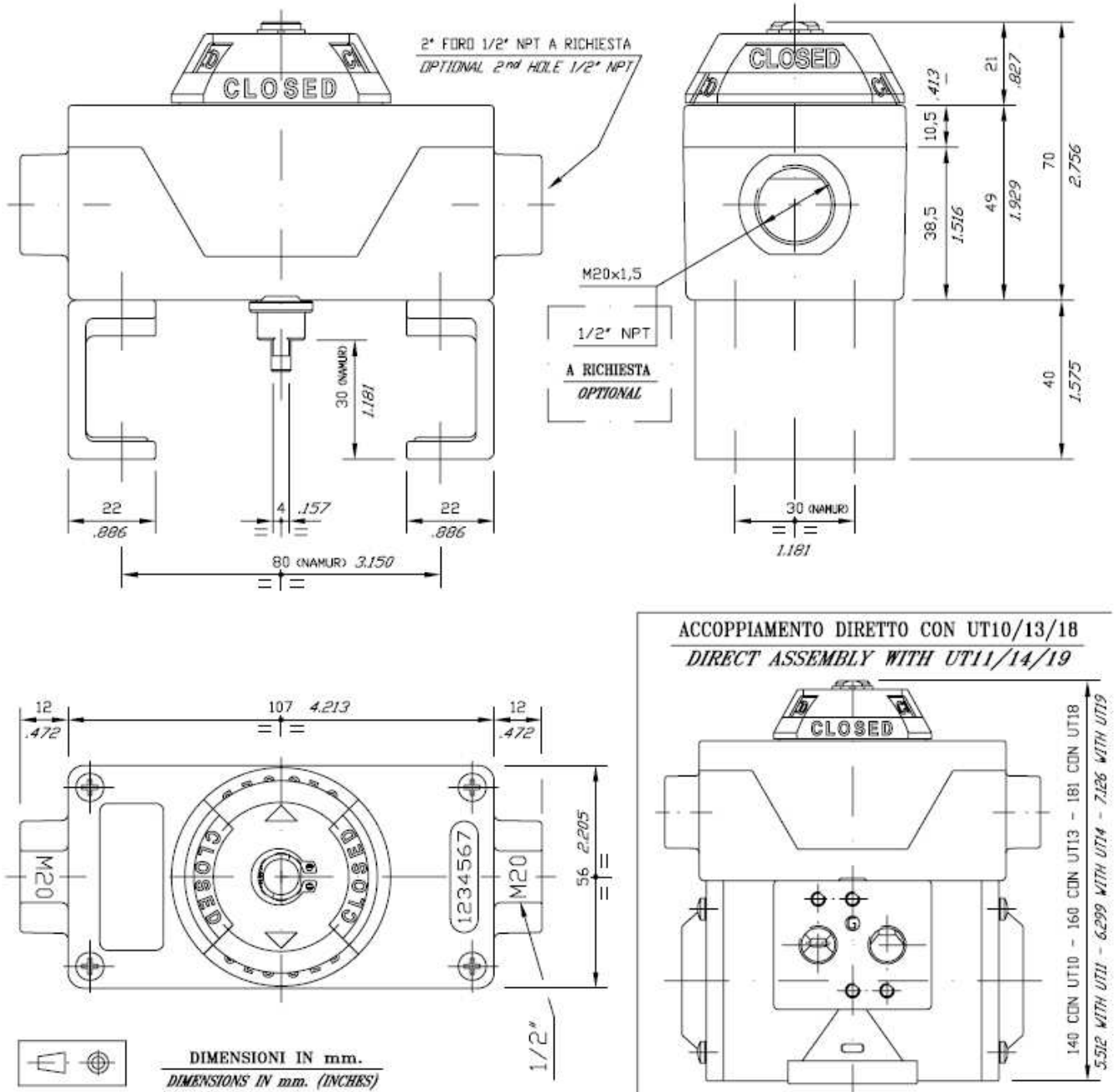


BOX-MICRO  
CON 2 FINE CORSA  
ELETTROMECCANICI  
DATI TECNICI

BOX-MICRO  
WITH 2 MECHANICAL  
MICROSWITCHES  
TECHNICAL DATA



BOX-MICRO

CON 2 FINE CORSA

INDUTTIVI

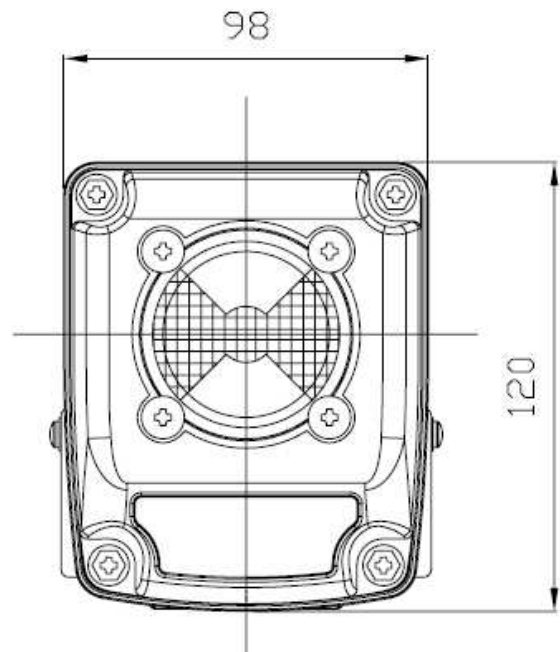
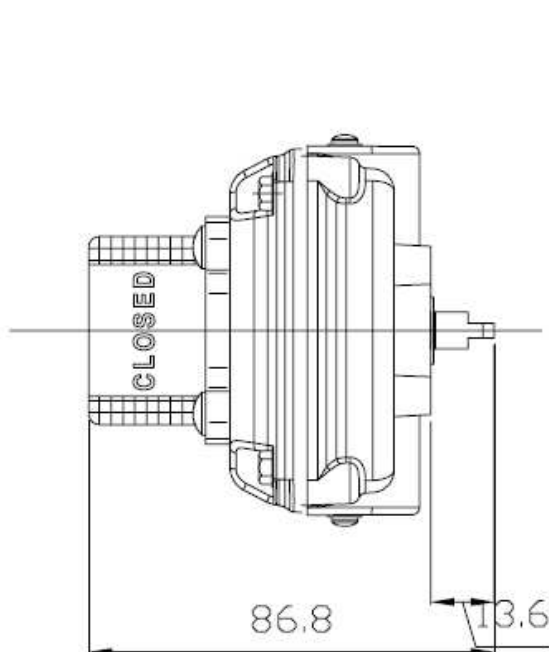
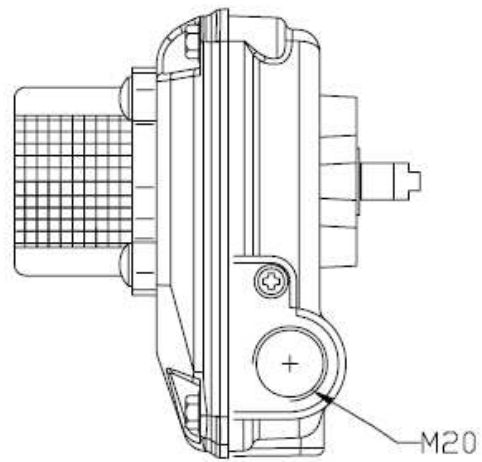
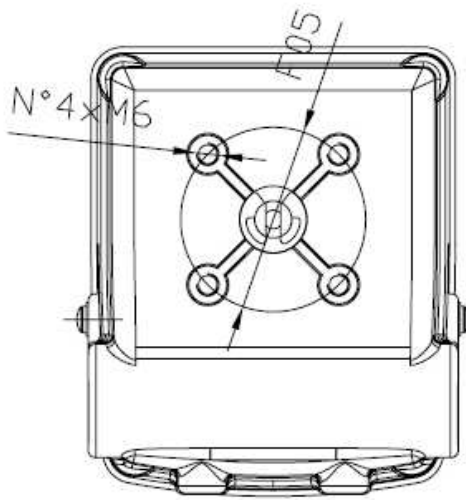
DATI TECNICI

BOX-MICRO

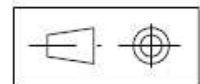
WITH 2 P&F EExia

MICROSWITCHES

TECHNICAL DATA



DIMENSIONI IN mm.  
DIMENSIONS IN mm. ( INCHES )



BOX-MICRO

CON 2 FINE CORSA

ELETTROMECCANICI

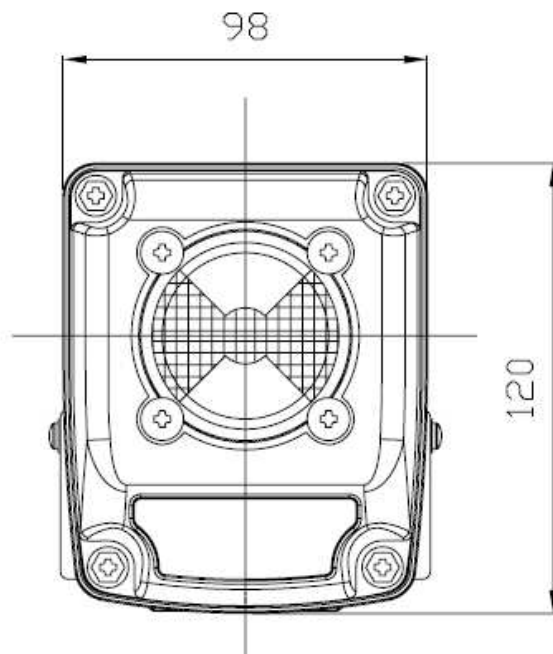
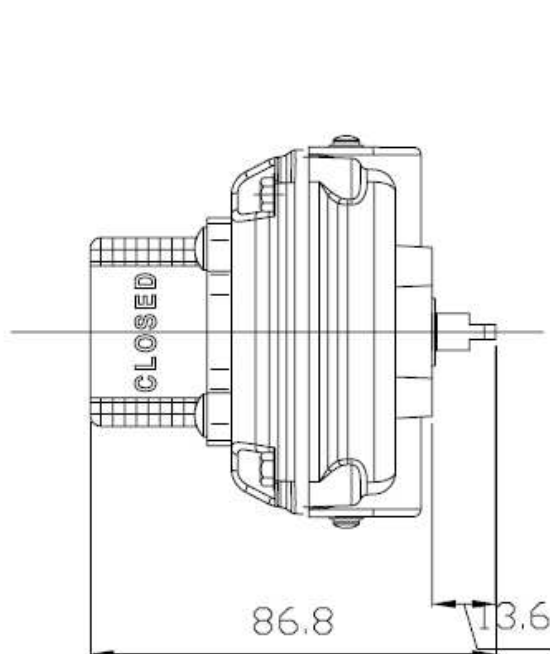
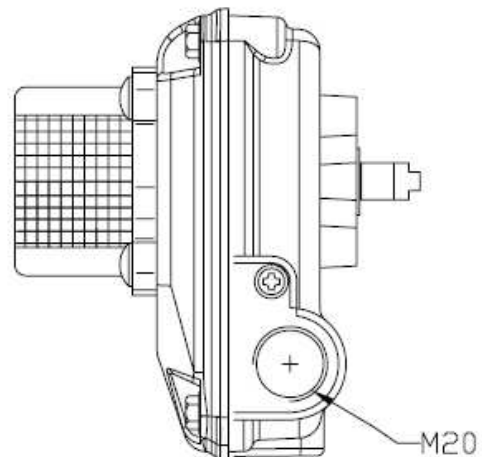
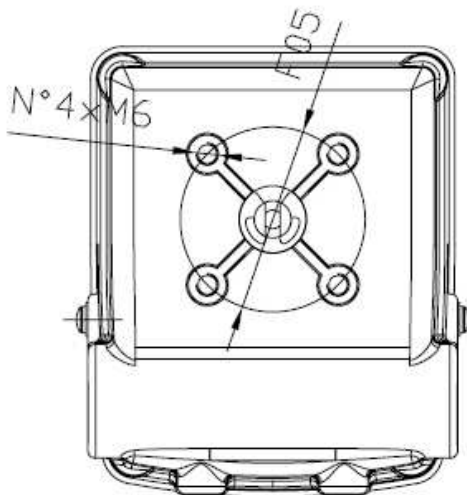
DATI TECNICI

BOX-MICRO

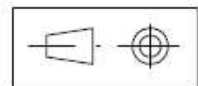
WITH 2 MECHANICAL

MICROSWITCHES

TECHNICAL DATA



DIMENSIONI IN mm.  
DIMENSIONS IN mm. ( INCHES )





## FEATURES

### "QuickSet" cams

The operating position of the switches can be easily changed setting via unique cam design, independently without the need for additional tools



### Strikers

Colored coded strikers- red for closed, green for open

### Easy Wiring

8 pole terminal for wiring in solenoid

### High Visibility Indicator

High Impact resistant Polycarbonate lid that offers clear location of the current valve position

### Captive Cover Bolts

Stainless Steel Captive cover screws

### Mounting Bracket

Universal NAMUR bracket supplied as standard with the

## DATA SHEET

### HOUSING

#### Materials

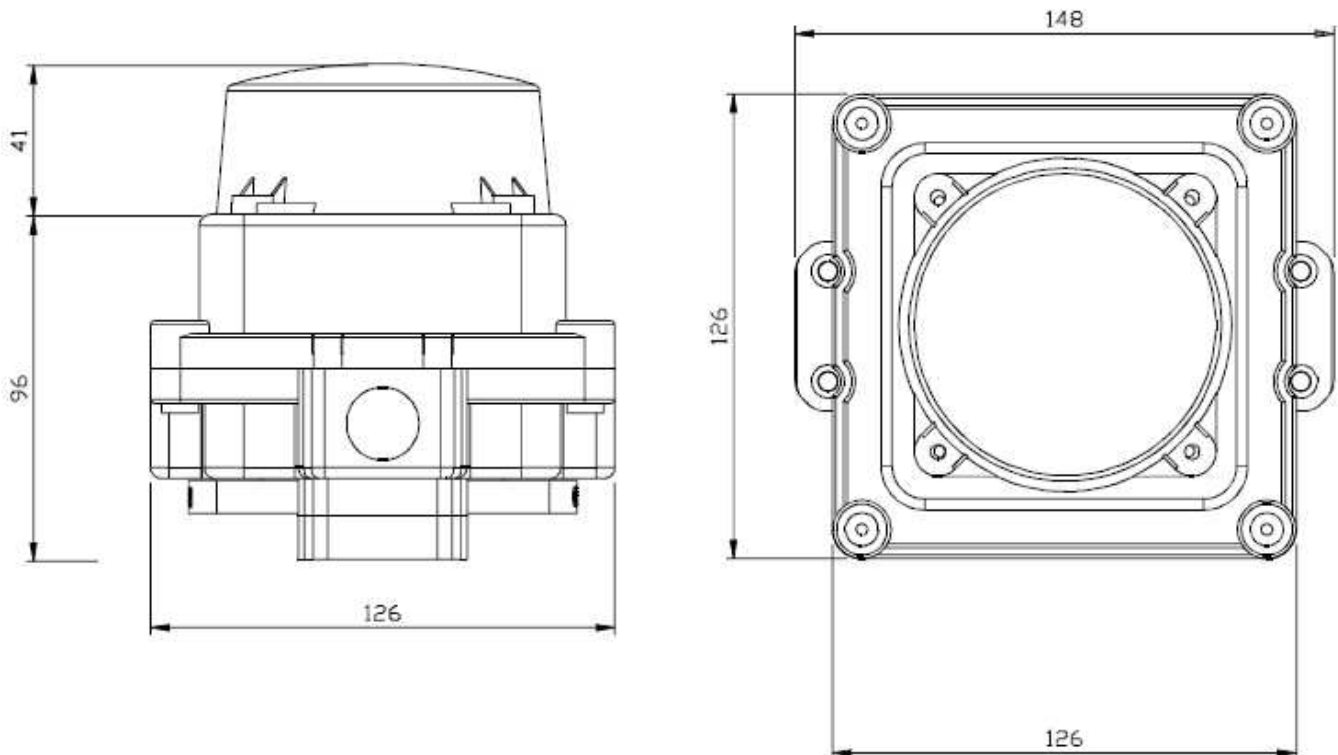
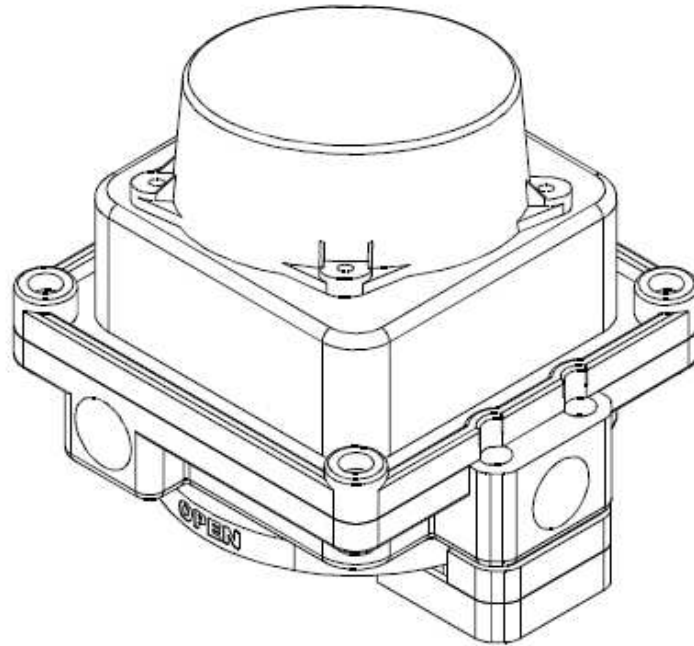
Cover	Die cast Aluminium
Body	Die cast Aluminium
Shaft	Stainless Steel
Bearing	Bronze

Electrical Entries:	2 x M20 (1/2" NPT on request)
Mounting:	VDI/VDE 3845 (NAMUR)
Enclosure:	IP67

### SWITCHES

Type:	Single Pole Double Throw
Rating:	250 Volts 10 Amps
Temperature:	-20°C ÷ +80°C
Contacts:	Gold Plated





## Explosion Proof EExd Limit Switch Box



### FEATURES

#### "QuickSet" cams

The operating position of the switches can be easily changed setting via unique cam design, independently without the need for additional tools



#### Strikers

Colored coded strikers- red for closed, green for open

#### Easy Wiring

8 pole terminal for wiring in solenoid

#### High Visibility Indicator

High Impact resistant Polycarbonate lid that offers clear location of the current valve position

#### Captive Cover Bolts

Stainless Steel Captive cover screws

#### Mounting Bracket

Universal NAMUR bracket supplied as standard with the

### DATA SHEET

#### HOUSING

##### Materials

Cover	Die cast Aluminium
Body	Die cast Aluminium
Shaft	Stainless Steel
Bearing	Bronze

Electrical Entries:	2 x M20 (1/2" NPT on request)
Mounting:	VDI/VDE 3845 (NAMUR)
Enclosure:	IP67

#### SWITCHES

Type:	Single Pole Double Throw
Rating:	250 Volts 10 Amps
Temperature:	-20°C ÷ +80°C
Contacts:	Gold Plated



## Explosion Proof EExd Limit Switch Box

